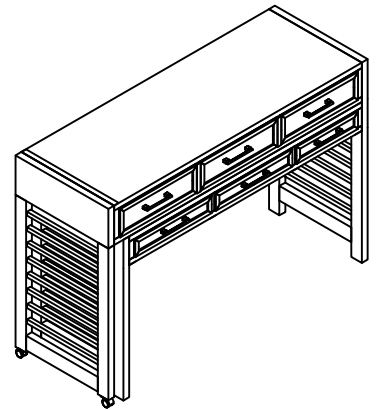


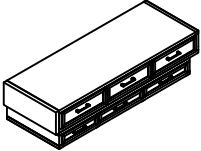
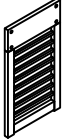

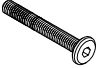





Warning :

- Be sure to check all packing material carefully for small parts, which may have come loose inside the carton during shipment.
- To prevent possible scratches and damage, this furniture **MUST BE ASSEMBLED BY TWO PEOPLE** on a soft surface such as a blanket or carpet.

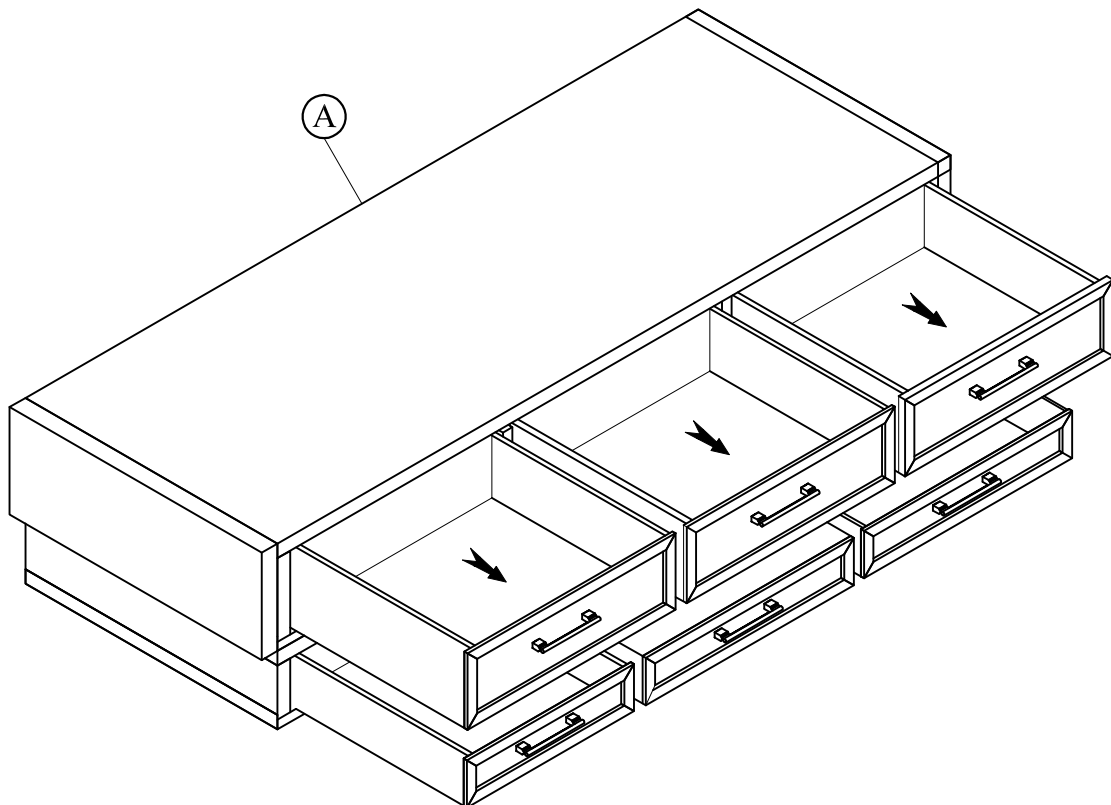


57732-57832
Swivel Desk

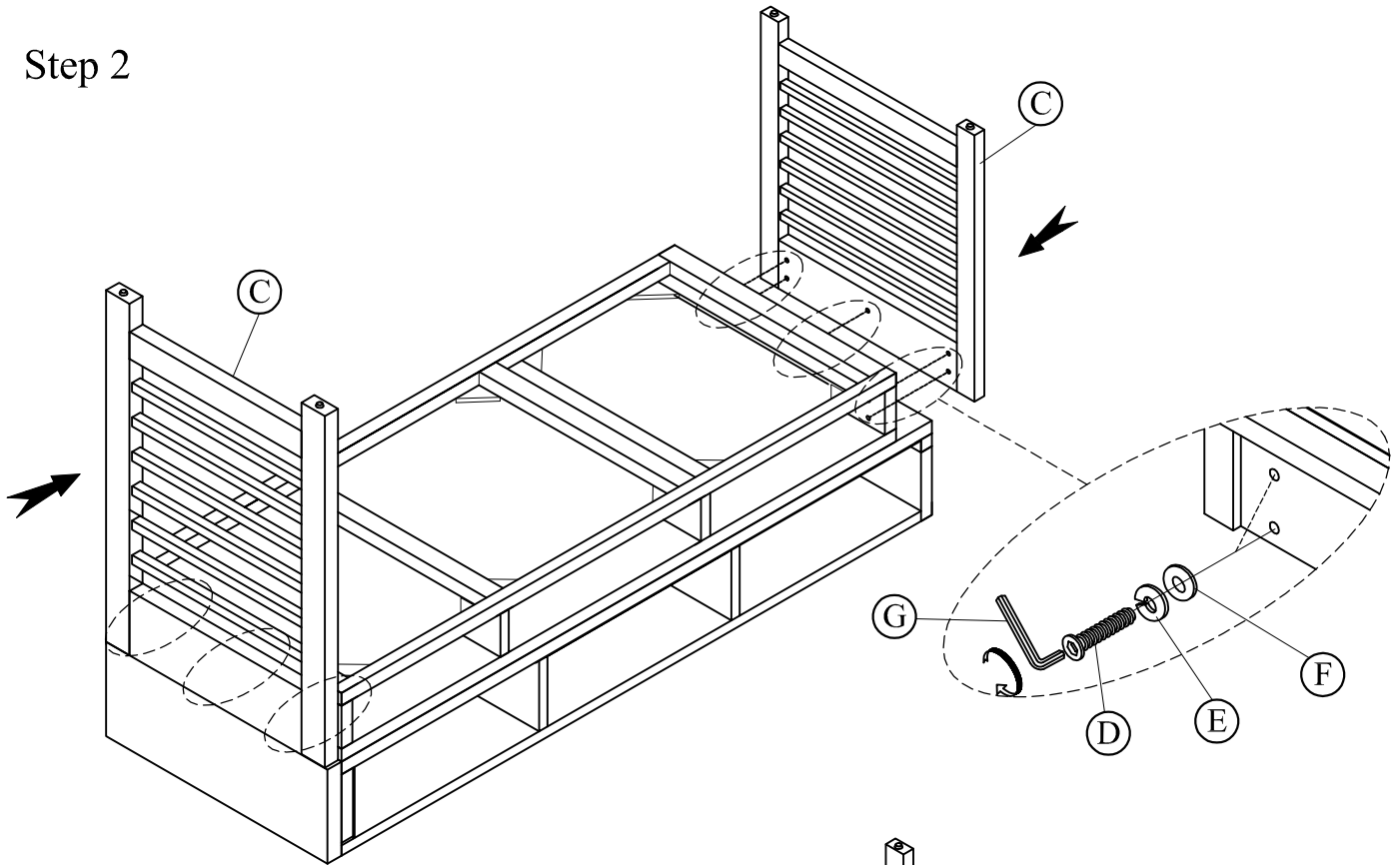
Components and Hardware List

<p>Swivel Desk</p>  <p>(A) 1 pc</p>		<p>Top Desk Leg</p>  <p>(B) 1 pc</p>		<p>Bottom Desk Leg</p>  <p>(C) 2 pcs</p>	
<p>Allen Bolt Ø5/16" x 38mm</p>  <p>(D) 15 pcs</p>	<p>Ø5/16"x Ø13mm Spring Washer</p>  <p>(E) 15 pcs</p>	<p>Ø5/16"x Ø19mm Flat Washer</p>  <p>(F) 15 pcs</p>	<p>M4 x 2-1/2" Allen Key</p>  <p>(G) 1 pc</p>	<p>Caster</p>  <p>(H) 2 pcs</p>	<p>Furniture Tipping Restraint Kit</p>  <p>(I) 1 pc</p>

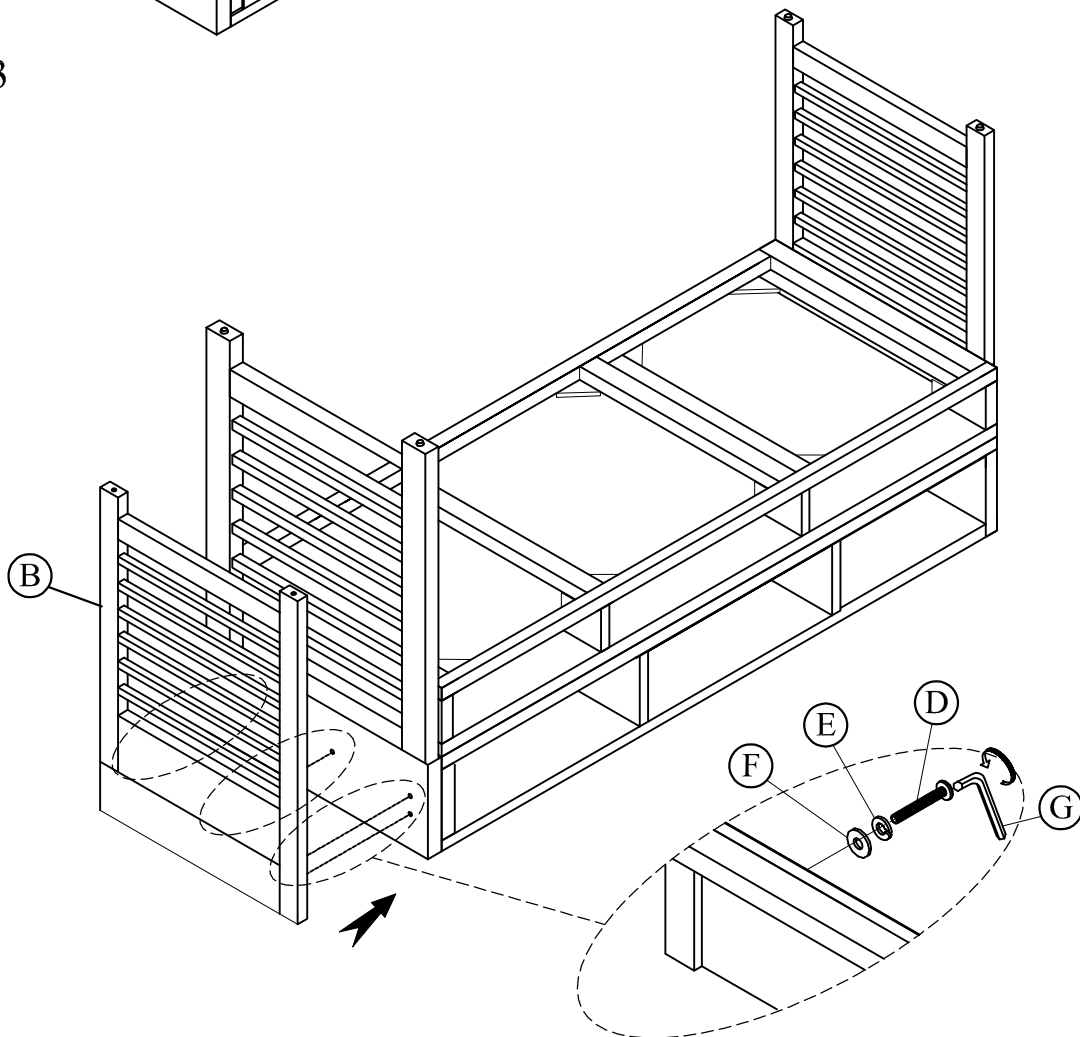
Step 1 : Remove All Drawers



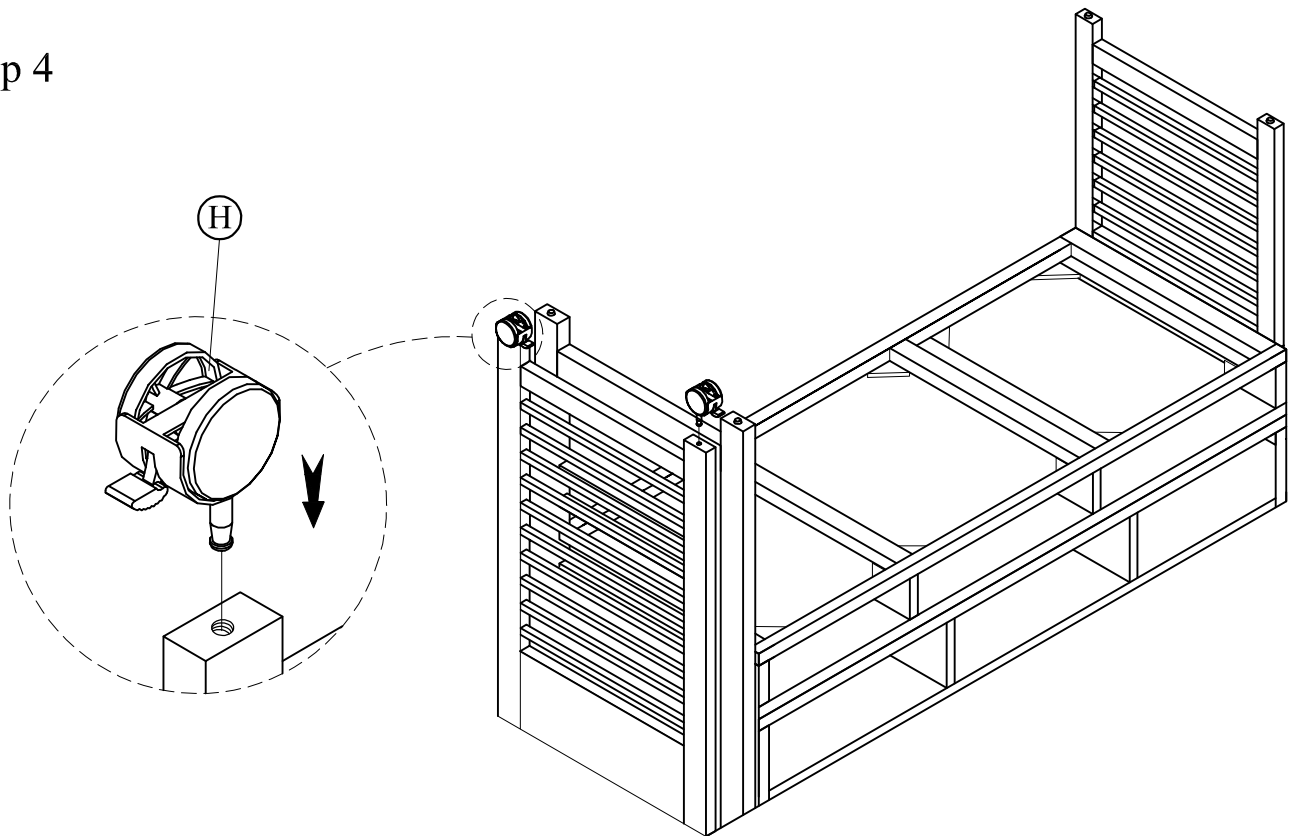
Step 2



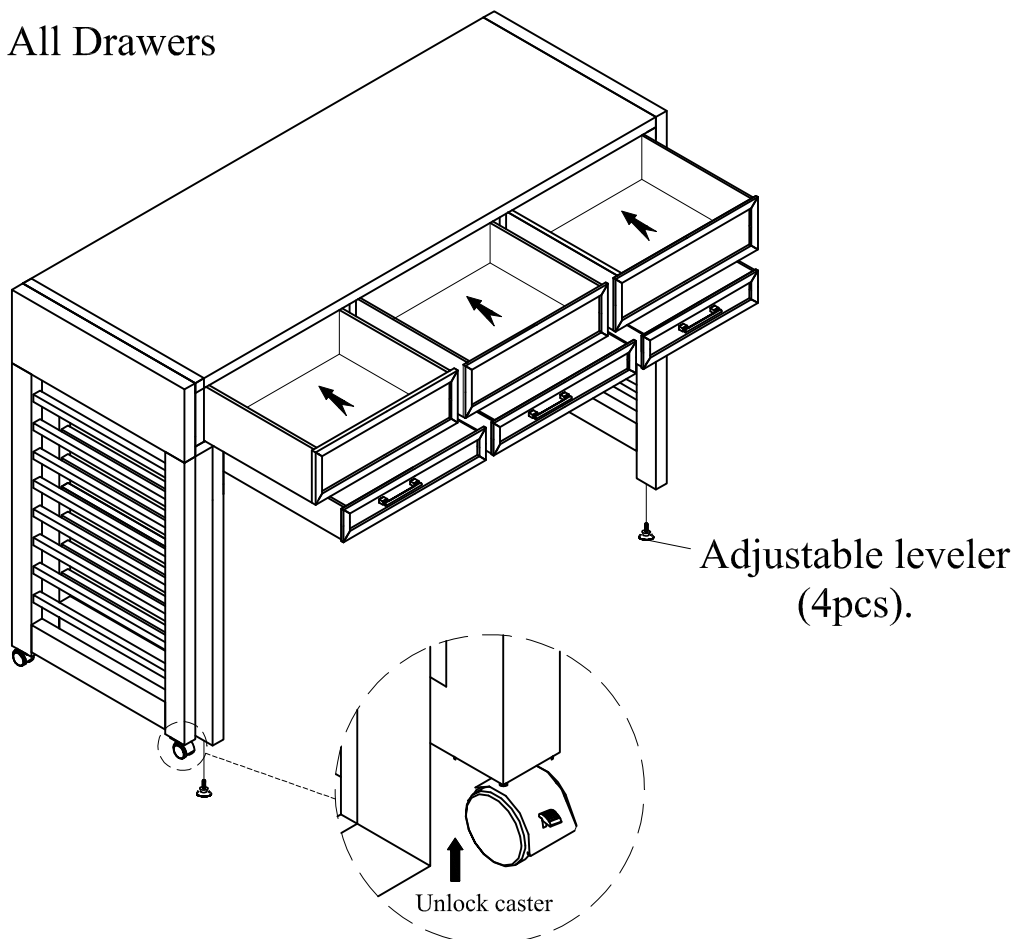
Step 3



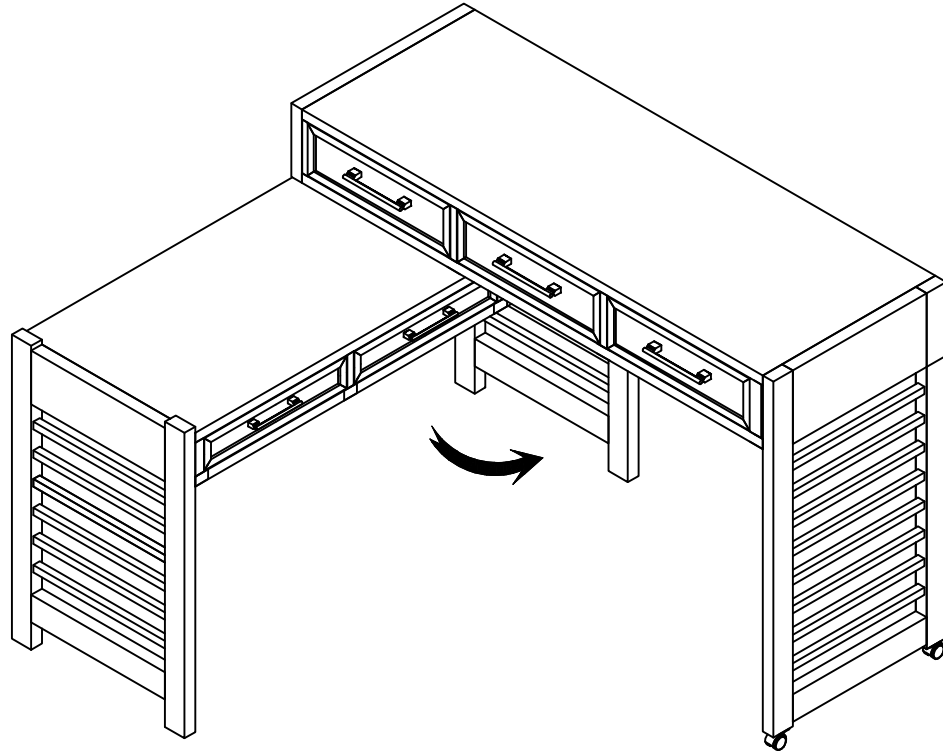
Step 4



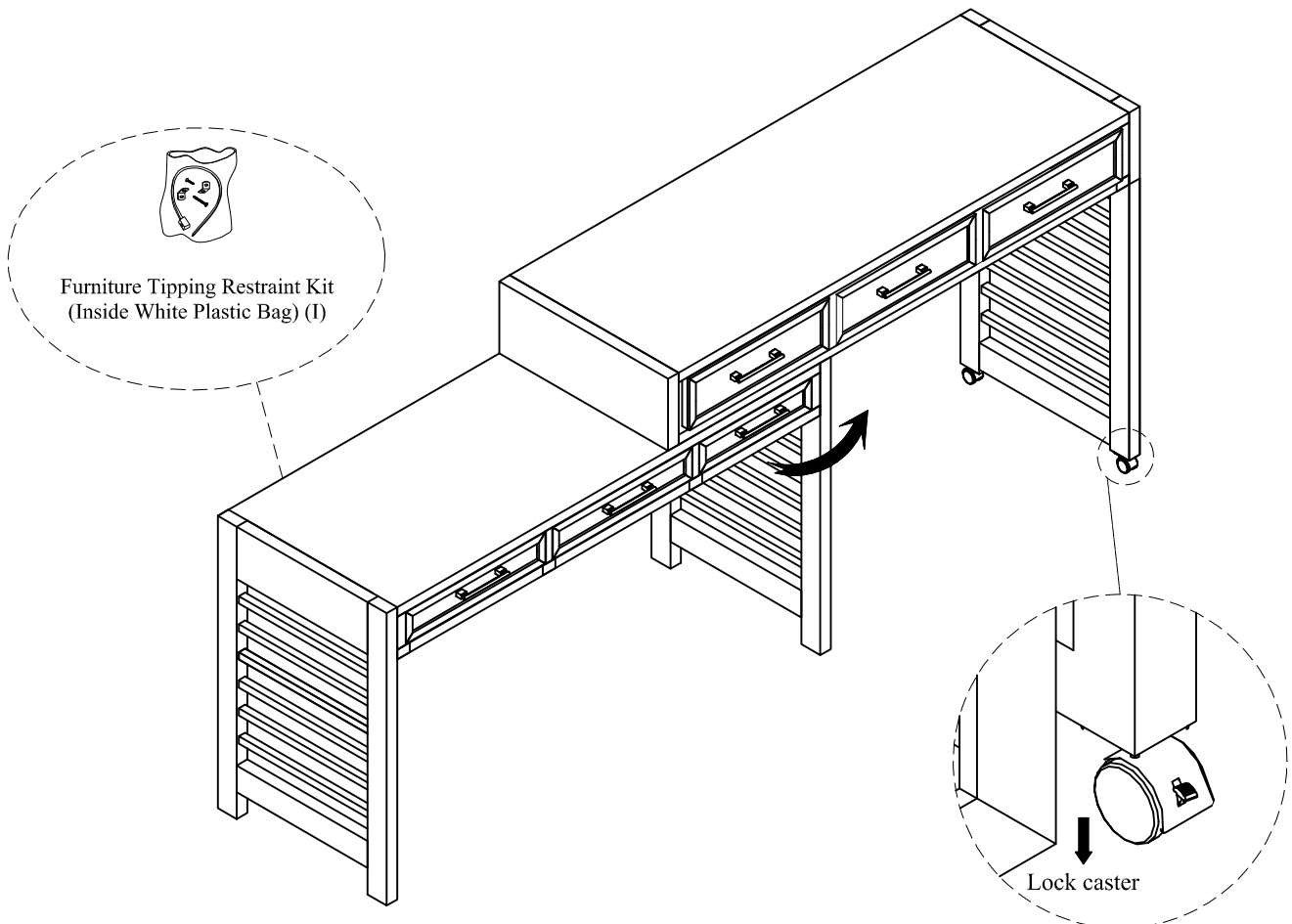
Step 5 : Attach All Drawers



Step 6



Step 7 : Attach a Tipping Restraint Kit to the bottom desk .



For product and personal safety, a Furniture Tipping Restraint kit has been included with this unit which can help to minimize the risk of the unit accidentally tipping forward, if used and properly installed per the kit manufacturer's instructions.